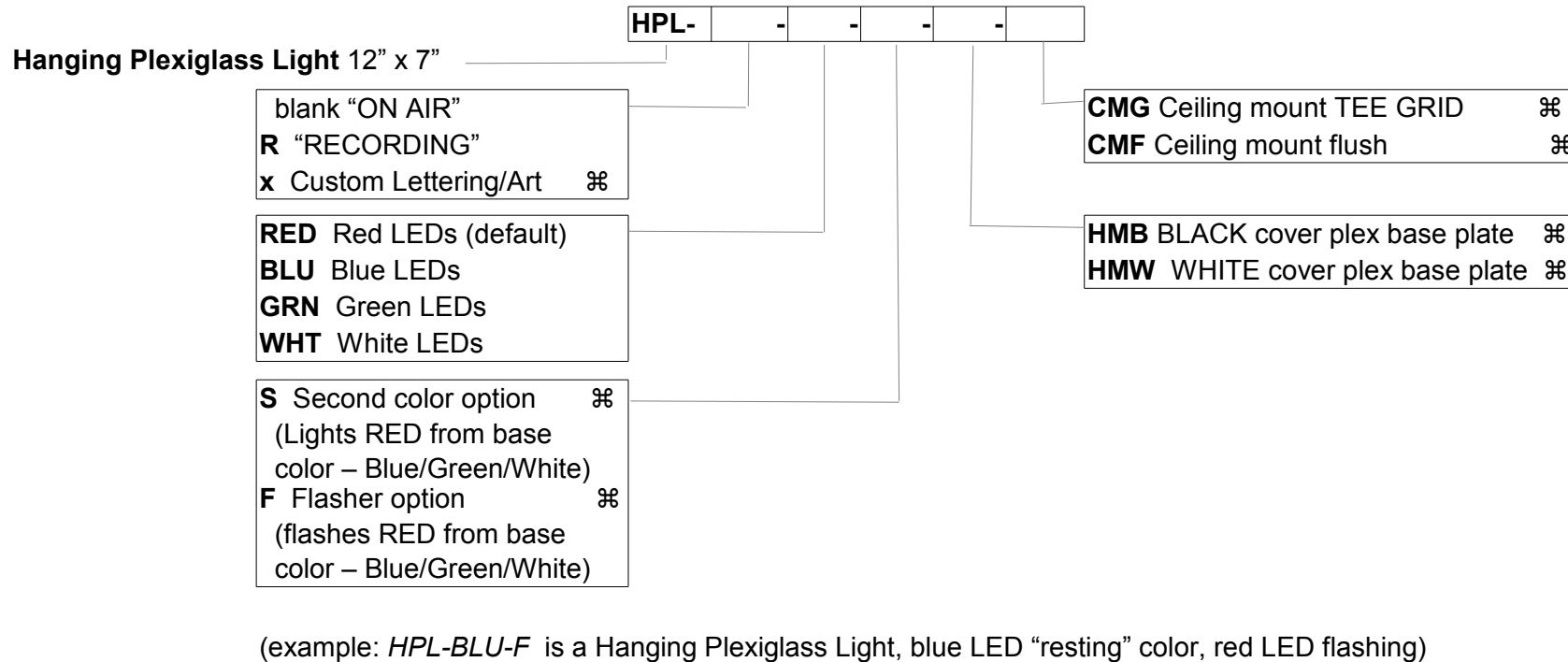
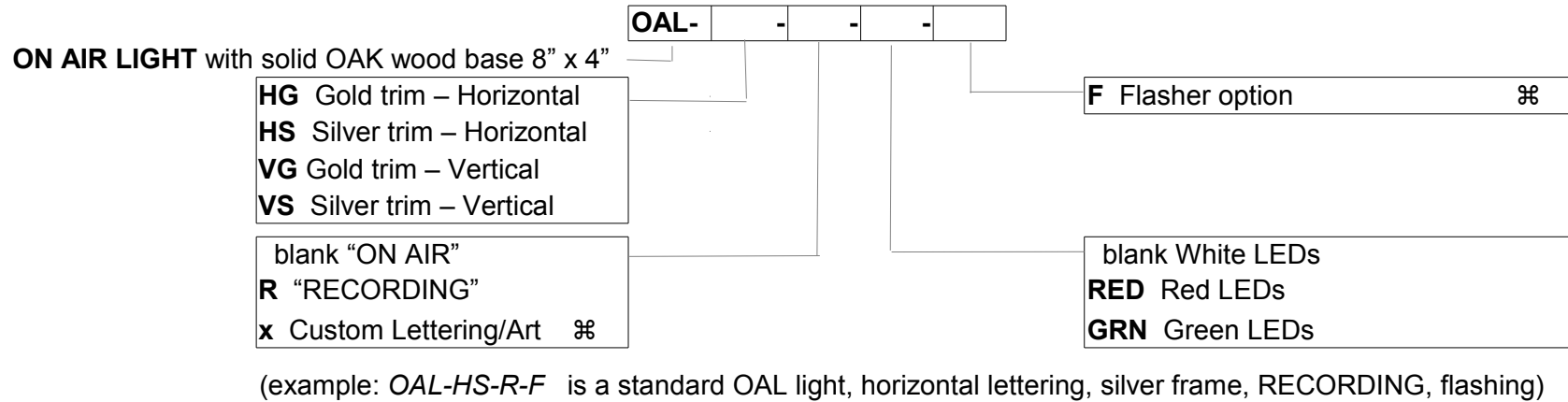


# Titus Technological Laboratories Light Fixture Work Sheet



**Blade Plexiglass Light 11.25" x 9.5"**  
Viewable from both sides

**BPL-** - - - -

blank "ON AIR"  
**R** "RECORDING"  
**x** Custom Lettering/Art ⌘

**RED** Red LEDs (default)  
**BLU** Blue LEDs  
**GRN** Green LEDs  
**WHT** White LEDs

**S** Second color option ⌘  
(Lights RED from base color – Blue/Green/White)

**N** for natural aluminum  
**B** for Black Powder Coat ⌘  
**W** for White Powder Coat ⌘

**BMB** BLACK cover plex base plate ⌘  
**BMW** WHITE cover plex base plate ⌘

(example: *BPL-N* is a Blade Plexiglass Light, lit with red LEDs with a natural aluminum base)

**Low Profile Light 8" x 4"**

**LPL-** - -

**HB** Black trim – Horizontal  
**HS** Silver trim – Horizontal  
**VB** Black trim – Vertical  
**VS** Silver trim – Vertical

blank "ON AIR"  
**R** "RECORDING"  
**x** Custom Lettering/Art ⌘

blank White LEDs  
**RED** Red LEDs  
**GRN** Green LEDs

(example: *LPL-HB-R-RED* is a Low Profile Light, horizontal lettering, black frame, ON AIR, red LEDs)

(⌘ OPTIONAL EQUIPMENT - ADDITIONAL CHARGE APPLIES - REFER TO YOUR DISTRIBUTOR FOR PRICING)

**WWW.TITUSLABS.COM**